



DIAGNOSTIC/PREPARATION INSTRUMENTS

- SUCTION TUBES
- TROCARS
- CATHETER FORCEPS
- LARYNGOSCOPES
- CALIPERS
- DISSECTING KITS





PERCUSSION HAMMERS

Perkussionshämmer
Martillos de percusion

Marteaux-percuteurs
Martelli percussori



BUCK
LG1-001-185
18.5 cm, 7 1/4"



**BUCK
HAMMER**
LG1-002-180
18 cm, 7"



NEURO-DUOFLEX
LG1-003-220
22 cm, 8 3/4"



DEJERINE
LG1-004-200
20 cm, 8"



DEJERINE
LG1-005-200
20 cm, 8"



TAYLOR
LG1-006-180 18 cm, 7"
LG1-007-200 20 cm, 8"



TAYLOR
LG1-008-180
18 cm, 7"

S I N C E 1 9 8 1



PERCUSSION HAMMERS

Perkussionshämmer
Martillos de percusion

Marteaux-percuteurs
Martelli percussori



BERLINER
LG1-009-200
20 cm, 8"



TRAUBE
LG1-010-160
16 cm, 6 1/4"



WARTENBERG
LG1-011-190
19 cm, 7 1/2"



BABINSKY
LG1-012-220
22 cm, 8 3/4"



BABINSKY
LG1-013-220
22 cm, 8 3/4"



RABINER
301-014-255
25.5 cm, 10"
with needle
and brush

S I N C E 1 9 8 1



STETHOSCOPES, CATHETER INTRODUCING FORCEPS

Stethoskope, Kathetereinführzangen
Estetoscopios, Pinzas para catéteres

Stéthoscopes, Pincés pour introduire les sondes
Stetoscopi, pinze per introdurre le sonde



PINARD ALUMINIUM
LG1-015-150
15 cm, 6"



WEBER
LG1-016-090
9 cm, 3 1/2"
Aesthesiometer



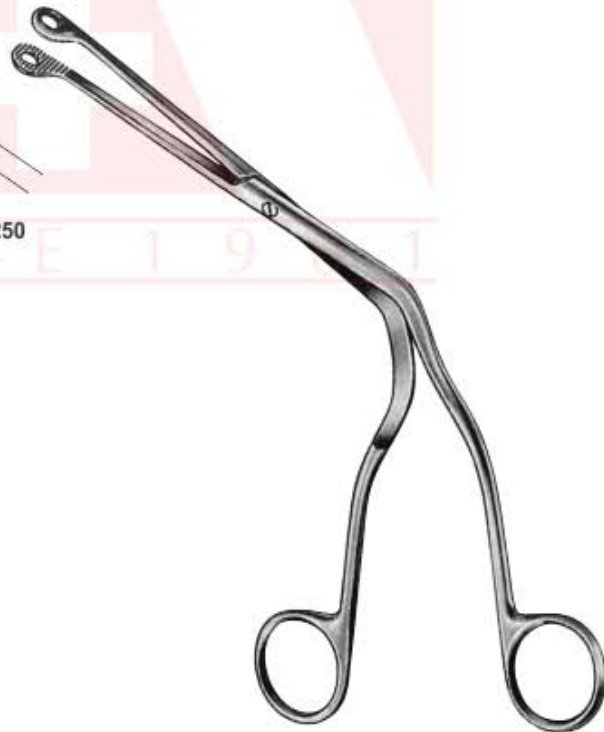
LG1-017-170
17 cm, 6 3/4"



LG1-018-200
20 cm, 8"



LG1-019-250
25 cm, 10"



MAGILL



DIAGNOSTIC SETS

Diagnostik-bestecke
Diagnostic Sets

Estuches de diagnostico
Combinazioni per diagnostica



GUEDEL-NEGUS LG1-020-001

Battery handle
(without batteries)
Guedel-Negus

- LG1-021-001 Blade, fig 01
 - LG1-022-002 ditto, fig 02
 - LG1-023-003 ditto, fig 03
 - LG1-024-004 ditto, fig 04
- case for 4 straight blades



MCINTOSH LG1-025-000

Fiber Optic Laryngoscope set
with 4 blades
(fig. 01 to 04) in wooden/ resin box.

- LG1-026-001 Blade fig 01
- LG1-027-002 Blade fig 02
- LG1-028-003 Blade fig 03
- LG1-029-004 Blade fig 04
- LG1-030-000 Handle only
(without batteries)



Fig. 01
LG1-031-001



Fig. 02
LG1-032-002



Fig. 03
LG1-033-003



Fig. 04
LG1-034-004



BATTERY HANDLE
LG1-035-250
25 cm, 10", without battery
Use with battery
(LG1-031-001 – LG1-034-004
LG1-036-001 – LG1-039-004)



Fig. 01
LG1-036-001



Fig. 02
LG1-037-002



Fig. 03
LG1-038-003



Fig. 04
LG1-039-004



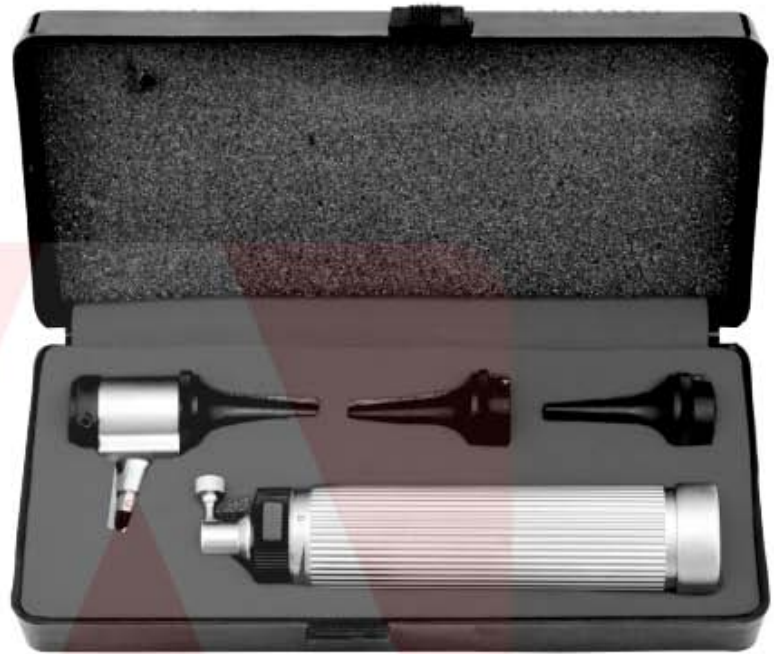
DIAGNOSTIC SETS WITH STANDARD ILLUMINATION

Kaltlicht-Laryngoskope und Zubehör
Laringoscopios de luz fría y Accessories

Laryngoscopes de lumière froide et accessoires
Laringoscopi di luce fredda ed accessori



OTOSCOPE SET (color available)
LG1-040-001



OTOSCOPE SET
LG1-041-001



MINI OTOSCOPE SET
LG1-042-001



OTOSCOPE /
OPHTHALMOSCOPE SET
LG1-043-001



DIAGNOSTIC SET
LG1-044-001



DIAGNOSTIC SETS ILLUMINATION LARYNGOSCOPE & ACCESSORIES

Kaltlicht-Laryngoskope und Zubehör
Laringoscopios de luz fría y Accessories

Laryngoscopes de lumière froide et accessoires
Laringoscopi di luce fredda ed accessori



OTOSCOPE SET
LG1-045-001



DIAGNOSTIC SET
LG1-046-001



GUEDEL-NEGUS / MILLER

LG1-047-001
with three laryngoscope
blades No. 1 to 3
complete, in case.

LG1-048-001
With four laryngoscope
blades No. 1 to 4
complete, in case.

LG1-049-001
for children
working length
70 mm

LG1-050-002
for adolescents
working length
90 mm

LG1-051-003
for women
working length
110 mm

LG1-052-004
for men
working length
175 mm



LARYNGOSCOPE & ACCESSORIES

Laryngoskope und Zubehör
Laringoscopios y Accessories

Laryngoscopes et accessories
Laringoscopi ed accessori



MCINTOSH

LG1-053-001
with three laryngoscope
blades No. 1 to 3
complete, in case.
With battery

LG1-054-001
With four laryngoscope
blades No. 2 to 5
complete, in case.



FOREGGER

LG1-060-001
with three laryngoscope
blades No. 2 to 4
complete, in case.

LG1-055-001
for babies
working length
55 mm



LG1-056-002
for children
working length
75 mm



LG1-057-003
for adolescents
working length
90 mm



LG1-058-004
for women
working length
110 mm



LG1-059-005
for men
working length
135 mm



LG1-061-001
for children
working length
70 mm



LG1-062-002
for adolescents
working length
90 mm



LG1-063-003
for women
working length
110 mm



LG1-064-004
for men
working length
175 mm



LARYNGOSCOPE CONVENTIONAL & FIBEROPTIC SET(DOUBLE SET)

Kaltlicht-Laryngoskope und Zubehör
Laringoscopios de luz fría y Accessories

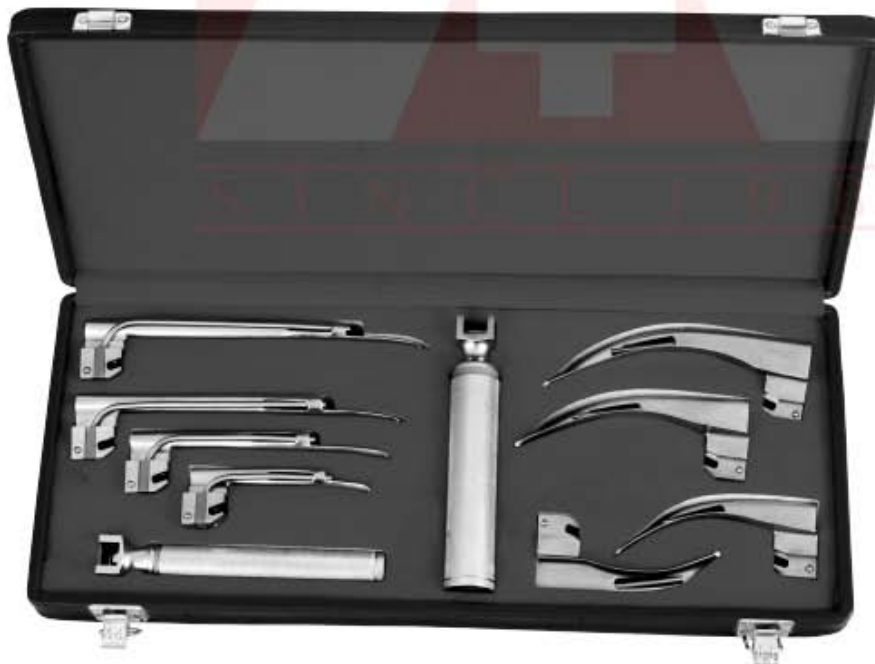
Laryngoscopes de lumière froide et accessoires
Laringoscopi di luce fredda ed accessori

CONVENTIONAL SET



CONVENTIONAL SET
LG1-065-000
MAC + MILLER COMBO
Double Set of 10 Pcs.
4 Miller Blades
4 Mac Blades
1 Handle Small
1 Handle Medium

FIBEROPTIC SET



MAC + MILLER COMBO SET
LG1-066-000
Double Set of 10 Pcs.
4 Miller Blades
4 Mac Blades
1 Handle Small
1 Handle Medium



FIBEROPTIC & DISPOSABLE LARYNGOSCOPE SET

Kaltlicht-Laryngoskope und Zubehör
Laringoscopios de luz fría y Accessories

Laryngoscopes de lumière froide et accessoires
Laringoscopi di luce fredda ed accessori

FIBEROPTIC SETS



MAC SET
LG1-067-001
Set of 5 pcs.



MILLER SET
LG1-068-001
Set of 5 pcs.

DISPOSABLE LARYNGOSCOPE SETS



MAC DISPOSABLE SET
LG1-069-001
Set of 4 Blade + 1 Handle



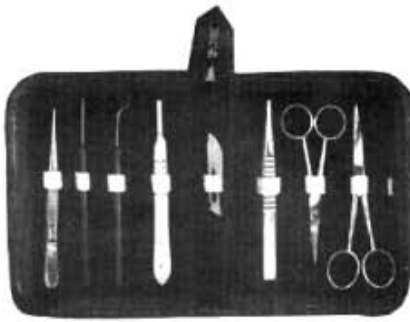
MILLER DISPOSABLE SET
LG1-070-002
Set of 4 Blade + 1 Handle



DISSECTING KITS

Diagnostik-bestecke
Diagnostic Sets

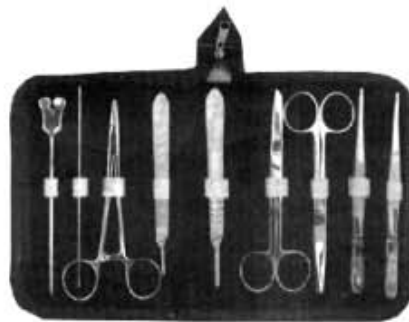
Estuches de diagnostico
Combinazioni per diagnostica



LG1-071-001

Set of 9 Pcs.

- Dissecting Forceps 11.5cm Sharp Point.
- Teasing needle Sharp STR.
- Teasing Needle Sharp Angular.
- B.P Handle No.4.
- Blade No. 22.
- Thumb Forcep T.O.E 13cm.
- Dissecting Scissor STR 11.5cm.
- Dissecting Scissor STR 13cm.
- Zipper Case Inside Red Velvet.



LG1-072-002

Set of 10 Pcs.

- Grooved Director with Tongue Tie 14cm.
- Probe Double 14cm.
- Mayo Hegar Needle Holder 14cm.
- B.P Handle No.3
- B.P Handle No.4
- Dressing Scissor 14cm S/B STR.
- Dressing Scissor 14cm S/B CVD.
- Dressing Forcep 1x2 teeth 14cm.
- Dressing Forcep Serrated 14cm.
- Zipper Case Inside Red Velvet.



LG1-073-003

Set of 10 Pcs.

- Probe Double 13cm.
- 2PCS. Scalpel S.S.
- Grooved Director With Tongue Tie 14cm
- Mayo Hegar Needle Holder 14cm.
- Dissecting Forceps 14cm 1x2 Teeth.
- Dressing Forceps 14cm Serrated.
- Dressing Scissor 14cm S/B STR.
- Dressing Scissor 14cm S/B CVD.
- Zipper Case Inside Red Velvet.



LG1-074-004

Set of 10 Pcs.

- Blow Pipe.
- 3PCS Scalpel.
- Dissecting Forceps 14cm.
- Grooved Director With Tongue Tie 14cm
- Triple Chain Hook.
- Dressing Scissor Probe Pointed 14cm.
- Probe Double 14 cm.
- Zipper Case Inside Red Velvet.



DISSECTING SET

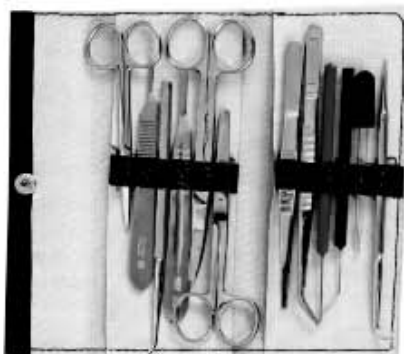
LG1-075-005 Containing 9 Instruments



DISSECTING SET

LG1-076-006

Set of 6 pcs.



DISSECTING SET

LG1-077-007

Set of 12 pcs.



DISSECTING KET

LG1-078-008

Set of 2 pcs.



CALIPERS

Messzirkel

Compasses

Compas

Compassi



JAMESON
LG1-079-001



CALIPER
LG1-080-150
15 cm, 6"



CASTROVIEJO
LG1-081-080
8 cm, 3"
Measuring range
15 mm, 20 mm



LG1-082-080
8 cm, 3"
Measuring range
20 mm



CASTROVIEJO
LG1-083-080
8 cm, 3"
Measuring range
20 mm



CASTROVIEJO-EPKER
LG1-084-090
9 cm, 3 1/2"
Measuring range
40 mm



CASTROVIEJO-EPKER
LG1-085-180
18 cm, 7"
Measuring range
40 mm, straight

LG1-086-180
18 cm, 7"
Measuring range
40 mm, curved





SUCTION TUBES

Sauger, Saugrohre
Tubos de aspiración

Tubos d'aspiracion
Tubi d'aspirazion

Ø 1.5 mm



COUPLAND
LG1-087-001

Ø 2.0 mm



BYRD
LG1-088-001 1.5 mm
LG1-089-002 2.5 mm
LG1-090-003 3.5 mm

Ø 8.0 mm



COOLEY
LG1-091-330
33 cm, 13"



MILLIN'S SUCTION TUBE
LG1-092-001
chromium-plated,
with sliding "on & off"
action.

Ø 8.0 mm



COOLEY
LG1-093-350
35 cm, 13 3/4"

Char. 21
Ø 7 mm



POOL
LG1-094-225
22.5 cm, 9"
Suction cannula
with outer tube
to be screwed

Ø 10 mm Char. 30



POOL
LG1-095-225
22.5 cm, 9"
Suction cannula
with outer tube
to be screwed

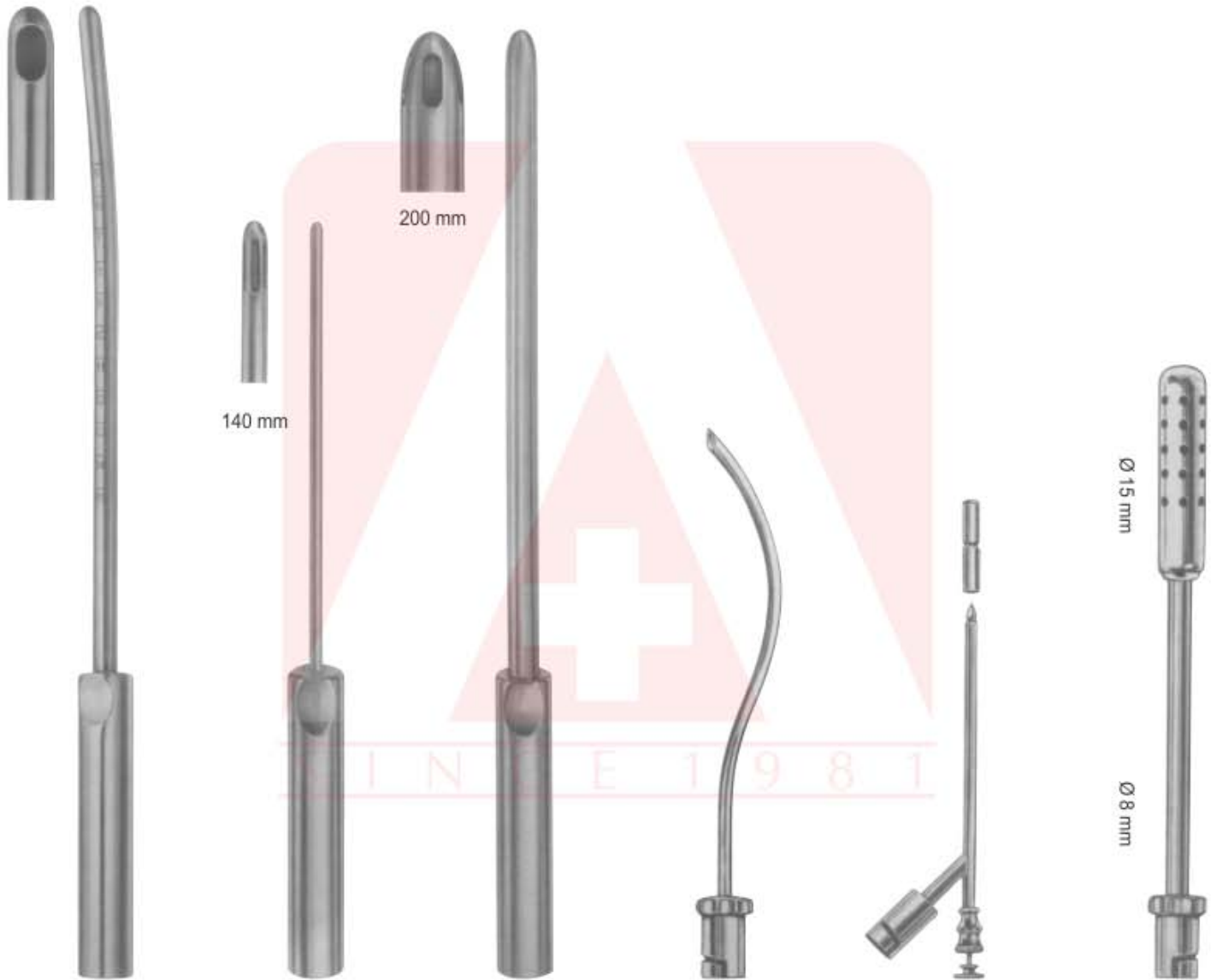
S I N C E 1 9 8 1



SUCTION TUBES

Sauger, Saugrohre
Tubos de aspiración

Tubos d aspiracion
Tubi d aspirazion



BIEMER

LG1-096-004 Ø 4 mm
LG1-097-006 Ø 6 mm
LG1-098-008 Ø 8 mm
LG1-099-010 Ø 10 mm
LG1-100-012 Ø 12 mm
LG1-101-014 Ø 14 mm
Curettes for aspiration
lipectomy, graduated,
slightly curved

BIEMER

LG1-102-004 Ø 4 mm
LG1-103-006 Ø 6 mm
Curettes for aspiration
lipectomy, with three
apertures, slightly curved
malleable

BIEMER

LG1-104-008 Ø 8 mm
LG1-105-010 Ø 10 mm
LG1-106-012 Ø 12 mm
Curettes for aspiration
lipectomy, with three
apertures, slightly curved
malleable

LG1-107-170

17 cm, 6 1/4"
For aspirating
fluid from the excretory
ducts of large glands
and for keeping the
operating area clear

LG1-108-150

15 cm, 6"
For aspirating
fluid from the excretory
ducts of large glands
and for keeping the
operating area clear

LG1-109-190

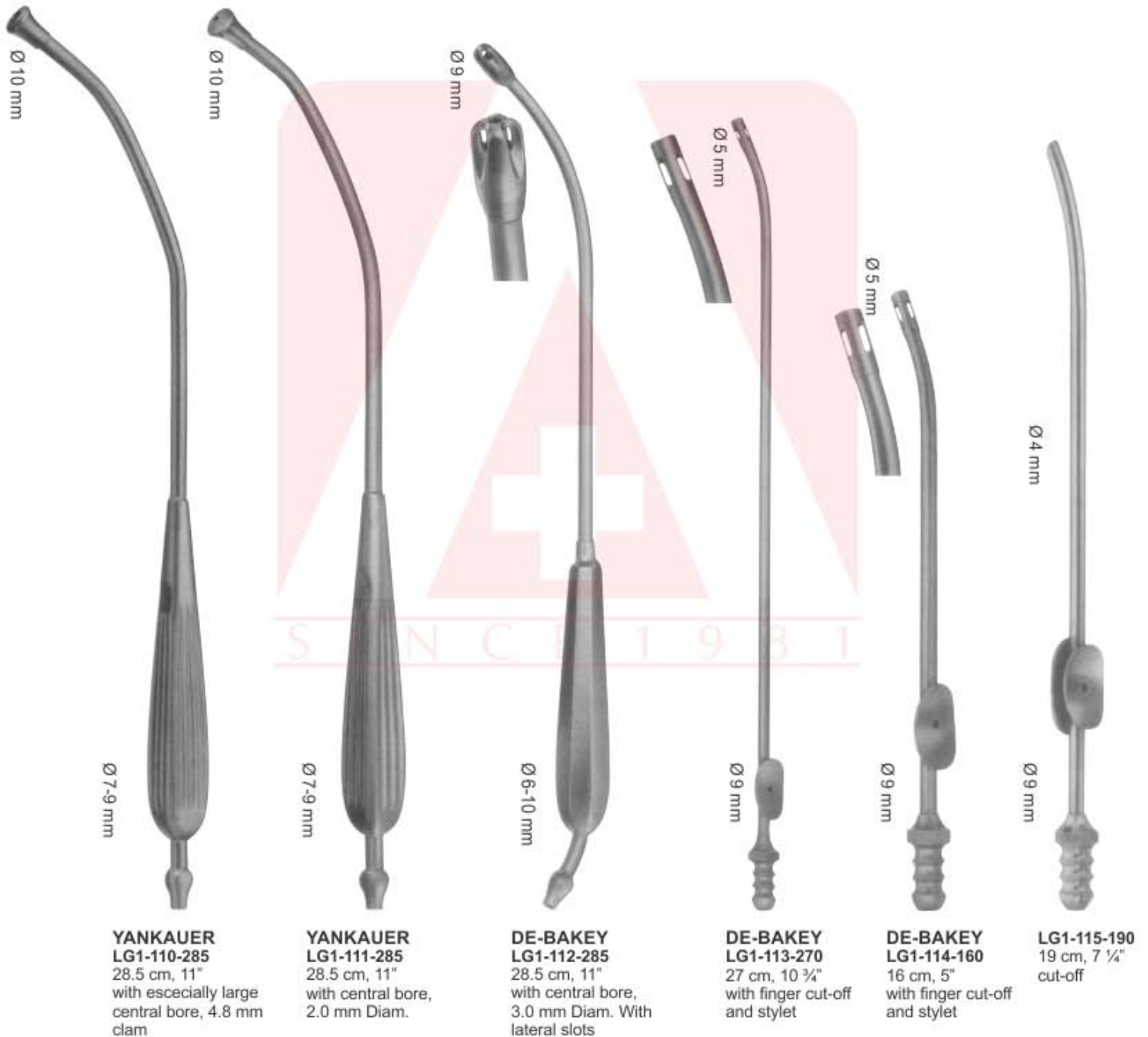
19 cm, 8 1/4"
For aspirating
fluid from the excretory
ducts of large glands
and for keeping the
operating area clear



SUCTION TUBES

Sauger, Saugrohre
Tubos de aspiración

Tubos d'aspiracion
Tubi d'aspirazion





SUCTION TUBES

Sauger, Saugrohre
Tubos de aspiración

Tubos d'aspiracion
Tubi d'aspirazion



ADSON
LG1-116-150 4 mm Ø
15 cm, 6"



FRAZIER-FERGUSON
LG1-117-114 6 Fr.
LG1-118-114 7 Fr.
LG1-119-114 9 Fr.
LG1-120-114 10 Fr.
LG1-121-114 11 Fr.
11.4 cm, 4 1/2"



FRAZIER
LG1-122-190 6 Fr.
LG1-123-190 7 Fr.
LG1-124-190 9 Fr.
LG1-125-190 11 Fr.
19 cm, 7 1/2"



FRAZIER 30°
LG1-126-180 6 Fr.
LG1-127-180 7 Fr.
LG1-128-180 8 Fr.
LG1-129-180 9 Fr.
LG1-130-180 10 Fr.
LG1-131-180 11 Fr.
LG1-132-180 12 Fr.
LG1-133-180 15 Fr.
18 cm, 7"



FRAZIER 45°
LG1-134-180 6 Fr.
LG1-135-180 7 Fr.
LG1-136-180 8 Fr.
LG1-137-180 9 Fr.
LG1-138-180 10 Fr.
LG1-139-180 11 Fr.
LG1-140-180 12 Fr.
18 cm, 7"



TROCARS / SUCTION TUBES

Trokare, Saugohre
Trócares, Tubos de aspiración

Trocarts, Tubos d aspiracion
Trequarti, Tubi d aspirazion



LG1-141-175 Ø 4.5 mm
LG1-142-175 Ø 5.5 mm
17.5 cm, 7"
Nasal suction tubes



GORNEY
LG1-143-180
18 cm, 7"
suction dissector



LG1-144-200 4 mm wide
LG1-145-200 5 mm wide
20 cm, 8"
suction raspatories,
sharp, bayonet-shaped,
with styelt



LOPEZ-REINKE
LG1-146-235
23.5 cm, 9"
tonsil dissector with
suction device



ANDREWS-PYNCHON
LG1-147-235
23.5 cm, 9 1/4"



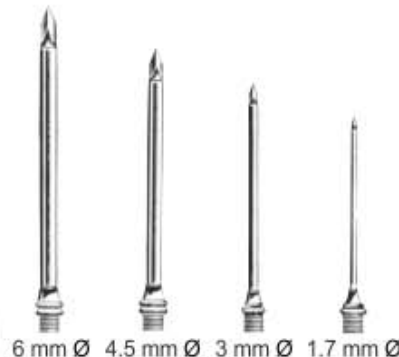
UNIVERSAL
LG1-148-001
Set of 3 Pieces
LG1-149-002
Set of 4 Pieces



Ø6 4 1/2 3 1 1/2 mm



LUER
LG1-150-001
Luer lock adapter



6 mm Ø 4.5 mm Ø 3 mm Ø 1.7 mm Ø

UNIVERSAL
LG1-151-140
14 cm, 5 1/2"
Set of 4 Pieces



Complete
1.8 mm Ø

LICHTWITZ
LG1-152-185
18.5 cm, 7 1/4"
antrum trocar



TROCARS

Trokare
Trócares

Trocarts
Trequarti



STANDARD

With stopcock and drain
LG1-153-185 3 mm x 80 mm
LG1-154-185 4 mm x 80 mm
LG1-155-185 5 mm x 80 mm
LG1-156-185 6 mm x 80 mm
18.5 cm, 7 1/4"



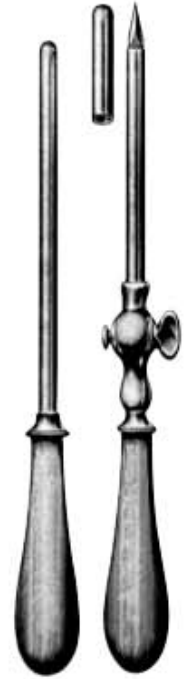
STANDARD

With Stopcock
LG1-157-185 3 mm x 80 mm
LG1-158-185 4 mm x 80 mm
LG1-159-185 5 mm x 80 mm
LG1-160-185 6 mm x 80 mm
18.5 cm, 7 1/4"



NELSON

Abdominal Trocars
LG1-161-170 3.0 mm x 80 mm 17.0 cm, 6 3/4"
LG1-162-170 4.0 mm x 80 mm 17.0 cm, 6 3/4"
LG1-163-170 5.0 mm x 80 mm 17.0 cm, 6 3/4"
LG1-164-170 6.0 mm x 80 mm 17.0 cm, 6 3/4"
LG1-165-210 7.5 mm x 110 mm 21.0 cm, 8 1/4"
LG1-166-210 9.5 mm x 110 mm 21.0 cm, 8 1/4"
LG1-167-210 11.0 mm x 110 mm 21.0 cm, 8 1/4"



BUELAU

LG1-168-240 8 mm
24 cm, 9 1/2"



FLEURANT
LG1-169-230
23 cm, 9"
5 mm Ø



FLEURANT
LG1-170-230
23 cm, 9"
5 mm Ø



FLEURANT
LG1-171-230
23 cm, 9"
5 mm Ø



DOUGLAS
LG1-172-003
3 mm Ø



LG1-173-110
11 cm, 4 1/2"





TROCARS

Trokare
Trócares

Trocarts
Trequarti



OCHSNER
Gall Bladder Trocars
LG1-174-140 4.0 mm x 100 mm
LG1-175-140 5.5 mm x 100 mm
LG1-176-140 6.5 mm x 100 mm
14 cm, 5 1/2"



LANDAU
LG1-177-002
2.0 mm



VOGEL
Dilation Forceps
LG1-178-265
26.5 cm, 10 1/2"



DUKE
LG1-179-110
11 cm, 4 1/4"
5.5 mm



BIRCH
LG1-180-180
18 cm, 7"
4.5 mm



NELSON
21 cm, 8 1/4"



1/4
LG1-181-210
21 cm, 8 1/4"



1/4
LG1-182-210
21 cm, 8 1/4"



1/4
LG1-183-210
21 cm, 8 1/4"



1/4
LG1-184-210
21 cm, 8 1/4"



SUCTION TUBES

Sauger, Saugrohre
Tubos de aspiración

Tubos d aspiracion
Tubi d aspirazion

Ø 1.75 mm

WULLSTEIN

LG1-185-160

16 cm, 5 3/4"

Suction tube, conical, silver, oliver
with LUER hub

WULLSTEIN

LG1-186-160

Ø 1.5 mm

LG1-187-160

16 cm, 5 3/4"

Suction tube, cylindrical, silver, with
stylet with LUER hub

Usable length

YASARGIL usable length diam.

LG1-188-130	13 cm, 5"	1.5 mm
LG1-189-150	15 cm, 6"	1.5 mm
LG1-190-180	18 cm, 7"	1.5 mm
LG1-191-220	22 cm, 8 3/4"	1.5 mm
LG1-192-130	13 cm, 5"	2.0 mm
LG1-193-150	15 cm, 6"	2.0 mm
LG1-194-180	18 cm, 7"	2.0 mm
LG1-195-220	22 cm, 8 3/4"	2.0 mm

YASARGIL usable length diam.

LG1-196-130	13 cm, 5"	2.5 mm
LG1-197-150	15 cm, 6"	2.5 mm
LG1-198-180	18 cm, 7"	2.5 mm
LG1-199-220	22 cm, 8 3/4"	2.5 mm
LG1-200-130	13 cm, 5"	3.5 mm
LG1-201-150	15 cm, 6"	3.5 mm
LG1-202-180	18 cm, 7"	3.5 mm
LG1-203-220	22 cm, 8 3/4"	3.5 mm
LG1-204-180	18 cm, 7"	4.5 mm

Ø 6.5-9 mm
with LUER hub

LANDOLT	LG1-206-008	08 mm / curved
LG1-205-150	LG1-207-011	11 mm / curved
15 cm, 6"	LG1-208-015	15 mm / curved
diam Ø 3mm		

S I N C E 1 9 8 1

Ø 3.5 mm

Ø 2.0 mm

LG1-209-350

35 cm, 14"

LG1-210-500

50 cm, 20"

with rubber tip,
with LUER hub

Ø 9 mm

LG1-211-250

Ø 2.0 mm

LG1-212-250

Ø 2.5 mm

LG1-213-250

Ø 3.0 mm

25 cm, 10"

with finger cut-off
thumb piece 90 to
curved, with luer hub

Ø 6-9 mm



SUCTION TUBES

Sauger, Saugrohre
Tubos de aspiración

Tubos d aspiracion
Tubi d aspirazion

